

Single-phase asynchronous motor

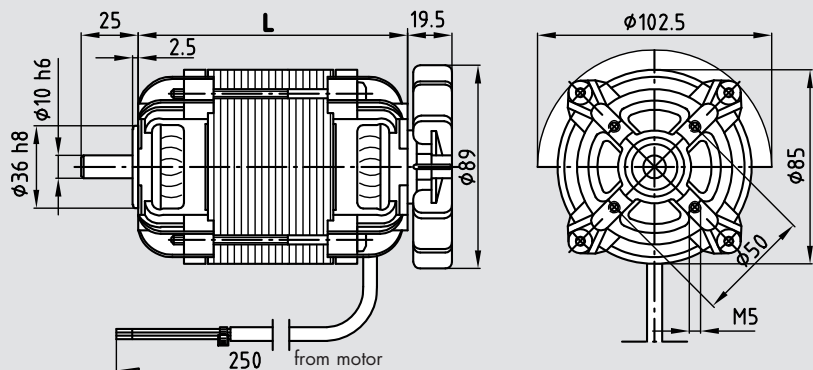
Properties: Connection: 230 V / 50 Hz AC system , optional designs for 110 V / 60 Hz or other voltages / frequencies
 Running capacitor required
 Cable connection, optional plug-in connector
 Service life: 20,000 hours, S1 duty
 Insulation mat.class: B, optional F
 System of protection: IP 00 (open design)
 Special model: Design for short-time duty with high performance
 Alloy rotor for higher starting torque
 Options: Thermal protection, special shafts, custom designed



Type	Name	U	AC voltage	Es 8645-2	Es 8655-2	Es 8670-2
	Nominal voltages	U	AC voltage	230	230	230
Specification	Nominal power	P ₂	W	152	187	230
	Nominal speed	N _{nom}	rpm	2750	2750	2750
	Nominal torque	T _{nom}	Ncm	53	65	80
	Starting torque	T _A	Ncm	27.5	42	45
	Nominal current	I _{nom}	A	1.2	1.46	1.77
	No-load current	I ₀	A	0.58	0.64	0.96
Characteristics	Locked rotor speed	n _{break}	rpm	1950	2100	2400
	Locked rotor torque	T _{break}	Ncm	67	84	95
	Nominal efficiency	η		0.51	0.55	0.55
Connection	Terminal resistance	R	Ohm	36	31	18
	Input power	P ₁	W	293	334	404
	Running capacitor	C	µF	8	8	10
Dynamics	Weight	m	kg	2.3	2.6	3.1
	Moment of inertia	J	gcm ²	862	1021	1260
Thermal	Adm. ambient temperature	T _a	°C	-20 to +40	-20 to +40	-20 to +40
	Max. adm. stator temperature	T _{max}	°C	+120	+120	+120
Coupling	Shaft diameter	d	mm	10	10	10
	Max. axial force	F _a	N	40	40	40
	Max. radial force	F _r	N	400	400	400

Dimensions

Type	L / mm
Es 8645-2	108
Es 8655-2	118
Es 8670-2	133



System technology

Recommended combinations other gears and extensions upon request	Worm gear	SC 401
	Spur gear	M 10
	Planetary gear	PM 80
Rotary encoder	upon request	
Brake	upon request	

Single-phase asynchronous motor

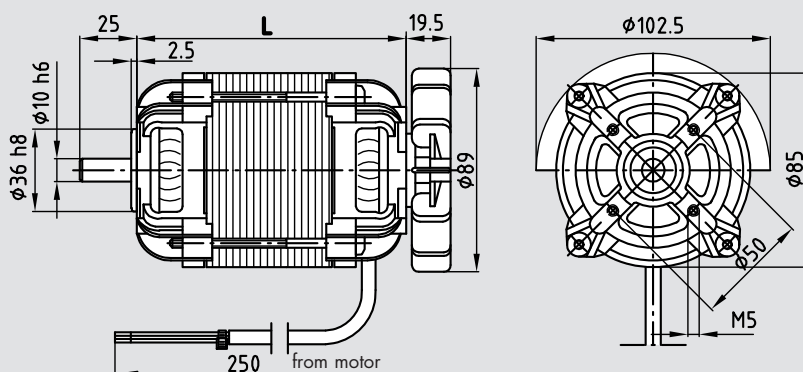


Properties:	Connection:	230 V / 50 Hz AC system , optional designs for 110 V / 60 Hz or other voltages / frequencies Running capacitor required Cable connection, optional plug-in connector
	Service life:	20,000 hours, S1 duty
	Insulation mat. class:	B, optional F
	System of protection:	IP 00 (open design)
	Special model:	Design for short-time duty with high performance Alloy rotor for higher starting torque
	Options:	Thermal protection, special shafts, custom designed

Type	Name			Es 8645-4	Es 8655-4	Es 8670-4
	Nominal voltages	U	AC voltage	230	230	230
Specification	Nominal power	P ₂	W	55	69	92
	Nominal speed	N _{nom}	rpm	1350	1350	1350
	Nominal torque	T _{nom}	Ncm	39	49	65
	Starting torque	T _A	Ncm	33	36	39
	Nominal current	I _{nom}	mA	659	786	1000
	No-load current	I ₀	mA	454	676	809
Characteristics	Locked rotor speed	n _{break}	rpm	1100	1100	1100
	Locked rotor torque	T _{break}	Ncm	55	60	89
	Nominal efficiency	η		0.45	0.30	0.45
Connection	Terminal resistance	R	Ohm	74	57	43
	Input power	P ₁	W	141	167	205
	Running capacitor	C	μF	8.0	10.0	12.0
Dynamics	Weight	m	kg	2.3	2.6	3.1
	Moment of inertia	J	gcm ²	862	1021	1260
Thermal	Adm. ambient temperature	T _a	°C	-20 to +40	-20 to +40	-20 to +40
	Max. adm. stator temperature	T _{max}	°C	+120	+120	+120
Coupling	Shaft diameter	d	mm	10	10	10
	Max. axial force	F _a	N	40	40	40
	Max. radial force	F _r	N	400	400	400

Dimensions

Type	L / mm
Es 8645-4	108
Es 8655-4	118
Es 8670-4	133



System technology

Recommended combinations

other gears and extensions upon request

Worm gear	SC 401
Spur gear	M 10
Planetary gear	PM 80
Rotary encoder	upon request
Brake	upon request