

Planetary gear

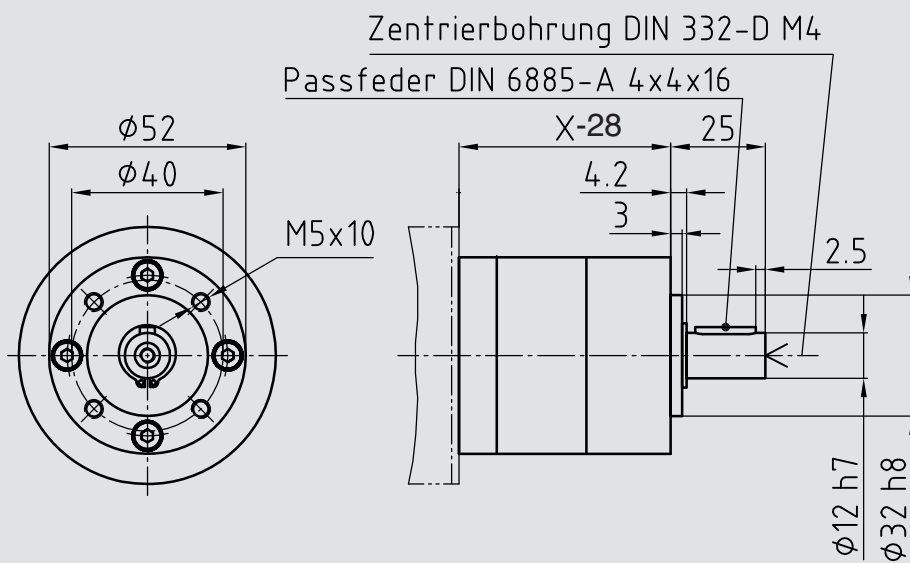


Properties:

General:	Multi-stage, closed planet gear For use in combination with our motors. Lifetime grease lubrication
Housing:	Steel annulus, aluminum flange User-defined installation
Tooth system tech.:	Internal gearing, hardened annulus Directly toothed motor shaft, optional shaft-mounted pinion Ball bearing end shaft
Options:	Special shafts

			1-stage	2-stage	3-stage							
Loading capacity	Max. radial force	N	200	320	450							
	Max. axial force	N	60	100	150							
	Max. input speed	rpm	3000	3000	3000							
	Temperature range	°C	-20° - +40°	-20° - +40°	-20° - +40°							
	Backlash	°DEG	0,7	0,75	0,8							
Mounting	Shaft diameter	mm	12	12	12							
	Weight	kg	0.7	0.9	1.1							
Transmission Ratios	i	Stages	M (Nm)	η	i	Stages	M (Nm)	η	i	Stages	M (Nm)	η
	3.7	1	4	0.8	26.9	2	12	0.75	93	3	25	0.7
	4.3	1	4	0.8	29	2	12	0.75	100	3	25	0.7
	5.2	1	4	0.8	35	2	12	0.75	115	3	25	0.7
	6.8	1	4	0.8	46	2	12	0.75	130	3	25	0.7
	13.7	2	12	0.75	51	3	25	0.7	150	3	25	0.7
	15.9	2	12	0.75	59	3	25	0.7	181	3	25	0.7
	18.4	2	12	0.75	68	3	25	0.7	236	3	25	0.7
22	2	12	0.75	79	3	25	0.7	308	3	25	0.7	

Dimensions



	1-stage	2-stage	3-stage
X	74	88	102

Dimension X may vary depending on mounting type and engine size