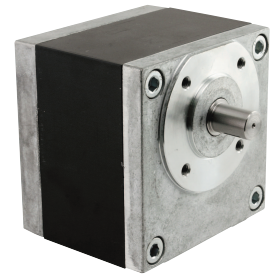


Spur gear

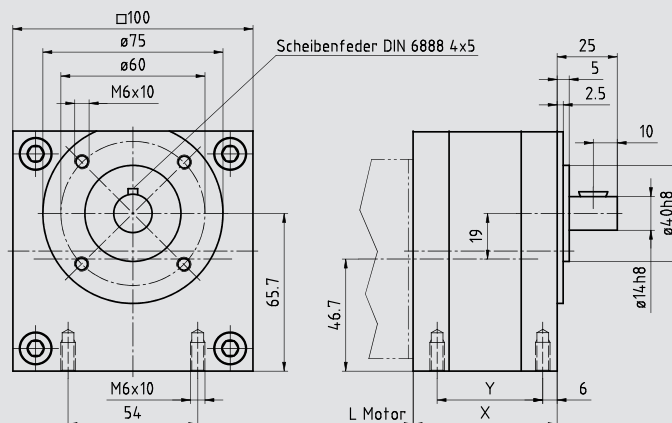


- Properties:**
- General: Multi-stage, closed spur gear
For use in combination with our motors.
Single gear with ball-bearing ingoing shaft
(2 bearings back-to-back)
Lifetime grease lubrication
 - Housing: Zinc diecast plates, aluminum square shaft
User-defined installation
Mounting possibility from all accessible sides
 - Tooth system tech.: Gear-pinion combinations on a common needle bearing
Ball bearing end shaft
 - Options: Planet gears

Loading capacity	Max. radial force	N	400
	Max. axial force	N	50
	Max. input speed	rpm	4500
	Temperature range	°C	-20° - +40°
Mounting	Shaft diameter	mm	14
	Weight	kg	1.4 (2-stage) - 2.1 (6-stage) front side
	Mounting part (standard)		

Translations	i	Stages	M (Nm)	η	i	Stages	M (Nm)	η	i	Stages	M (Nm)	η
	4	1	2.5	0.91	38.9	3	10	0.74	292	5	15	0.6
	8.4	2	6.5	0.82	52.5	3	10	0.74	349	5	15	0.6
	10.8	2	6.5	0.82	75.6	4	15	0.66	473	5	15	0.6
	13	2	6.5	0.82	97.3	4	15	0.66	680	6	15	0.54
	17.5	2	6.5	0.82	167	4	15	0.66	875	6	15	0.54
	25.2	3	10	0.74	158	4	15	0.66	1049	6	15	0.54
	32.4	3	10	0.74	227	5	15	0.6	1418	6	15	0.54

Dimensions



	1-stufig	2-stufig	3-stufig	4-stufig	5-stufig	6-stufig
Y	44	44	44	64	64	64
X	60	60	60	80	80	80

