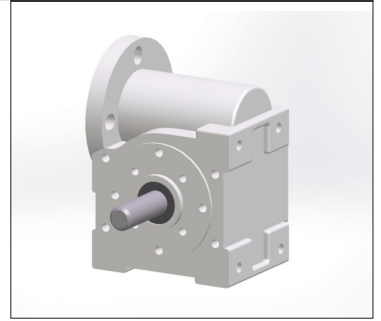


Worm gear

Properties:	General:	Single-stage worm gear For use in combination with our motors. Lifetime grease lubrication
	Housing:	Zinc diecast
	Output:	Power deviation 90°, second shaft end possible Self locking on higher gear reduction ($\eta < 50\%$)
	Options:	Second shaft end



Loading capacity	Max. radial force	N	40
	Max. axial force	N	40
	Max. input speed	rpm	4500
	Temperature range	°C	-20° – +40°
Mounting	Shaft diameter	mm	8
	Weight	kg	0.57
	Mounting type (standard)		Drive side
Gear ratios	i	M (Nm)	η
	3	2.2	0.74
	4	3.6	0.75
	7	3.6	0.66
	10.5	3.4	0.57
	15	3.4	0.45
	21	3.4	0.40
	30	3.6	0.34
	40	3.9	0.29
68	3	0.22	

Dimensions

