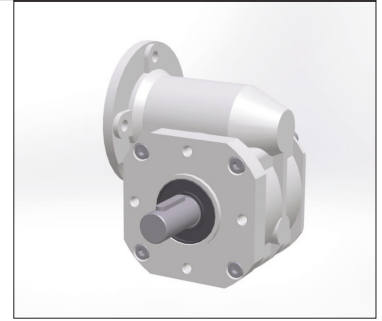


Worm gear



Properties:	General:	Single-stage worm gear For use in combination with our motors. Lifetime grease lubrication
	Housing:	Zinc diecast Mounting on the drive side
	Output:	Power deviation 90°, second shaft end possible Self locking on higher gear reduction ($\eta < 50\%$)
	Options:	Ball bearing 2. Shaft end Hollow shaft ($\varnothing_{\text{max.}} 20 \text{ mm}$)

Loading capacity	Max. radial force	N	500
	Max. axial force	N	260
	Max. input speed	rpm	4500
	Temperature range	°C	-20° – +40°
Mounting	Shaft diameter	mm	16
	Weight	kg	1.7
	Mounting type (standard)		Drive side

Gear ratios	i	M (Nm)	η
	6.8	29.5	0.77
	8	27.5	0.74
	10	29.5	0.72
	12	25.2	0.65
	15	28	0.64
	20	28.9	0.61
	30	30.1	0.51
	40	28.3	0.44
	56	21.9	0.31
	80	20.1	0.28

Dimensions

