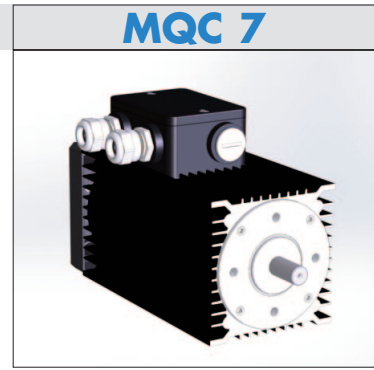


Brushless DC drive

with integrated commutation, enhanced cooling

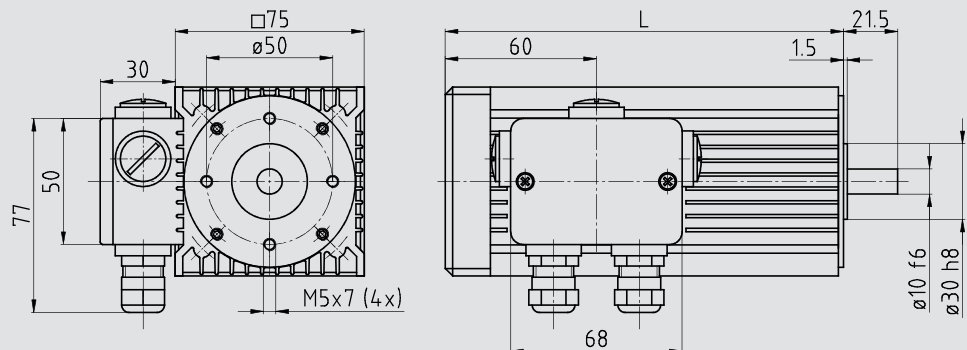
Properties:	Drive:	Brushless DC motor with integrated commutation electronic
	Controlling:	K4 terminal box for power supply and sensors by CAN-Bus (CANopen, Drive Profile DSP-402) or digital/analogue I/O
	Rotor:	8-pole neodymium magnet, slight detent torque
	Service life:	20,000 h, S1 duty
	Insulation mat. class:	F
	System of protection:	IP 44, optional up to IP 65
	Supply voltage:	24 ... 48 V
	Special model:	additional voltages and speeds upon request
	Options:	Special shafts, special flanges, custom connection technology



Type	Name	U	Volt DC	MQC 737	MQC 767
	Nominal voltage			24	24
Rate	Nominal power	P ₂	W	195	267
	Nominal speed	n _{nom}	rpm	3000	3000
	Nominal torque	T _{nom}	Nm	0.62	0.85
	Nominal current	I _{nom}	A	11	14.2
	Nominal efficiency	η		0.74	0.77
Short-time duty (S2 5 min)	Torque	M _{S2}	Nm	0.85	1.00
	Speed	n _{S2}	rpm	2600	2500
	Current	I _{S2}	A	15.3	18.2
Idling	Idling speed	n ₀	rpm	4300	4000
	Idling current	I ₀	A	0.5	0.75
Dynamics	Weight	m	kg	1.5	2.2
	Moment of inertia	J	gcm ²	450	750
Thermal	Adm. ambient temperature	T _u	°C	-20 to +40	-20 to +40
	Max. adm. stator temperature	T _{max}	°C	+155	+155
Coupling	Shaft diameter	d	mm	10	10
	Max. axial force	F _a	N	40	40
	Max. radial force	F _r	N	400	400

Dimensions

Type	L / mm
MQC737	128
MQC767	158



System technology

Recommended combinations other gears and extensions upon request	Worm gear	S 769	S 668	GS 3
	Spur gear	M 10		
	Planetary gear	PM 60		
	Rotary encoder	RV 30	RI 30	
	Brake	B 77		
	Electronics	integrated		